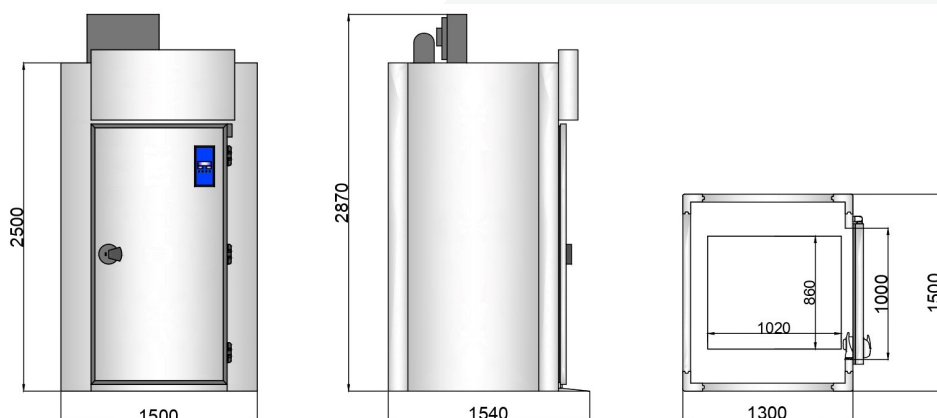


# Retarder Prover Room-AVANT



## DATA SHEET

External dimensions	mm 1500x1300x2500h
Internal dimensions	mm 1180x1150x1980h
Maximum external height	mm 2920
Structure	Prefabricated modular panels with thickness of insulation 60mm. Polyurethane rigid foam without CFC and density 38/40 Kg/mc. Sanitary profiles on the floor and ceiling
Floor	Without floor
Internal finishing	White painted galvanized sheet
External finishing	White painted galvanized sheet
Doors – entry	n.1 mm1000x2000h – industrial closing
Capacity of racks - trays	n.1 for trays mm 800x1000
Evaporator	n.1 with two fans Ø 200mm
Evaporator capacity	2030 Watt a 2°C room / -8°C evaporation
Fans absorption	124 Watt
Tropicalized condensing unit	n.1 ermetic Embraco compressor of 1,2Hp with n.1 fan. Dimensions mm 550x410x370h. Pump Down. High and low pressure switch
Condensing unit capacity	1266 Watt at -10°C evaporation / 38°C condensation
Defrosting resistances	n.1 of 1200 Watt
Heating elements	n.1 of 1800 Watt
Steam generator	n.1 ultrasonic
Temperature range	-5 / +40 °C
Humidity range	50 – 100 %
Temperature probe	n.1 Ntc
Humidity probe	n.1 4-20mA
Internal light	n.1 led of mm500
Avant controller	n.1 Digital with LCD display and 4 programming keys
Voltage	Volt 1x230+N 50Hz
Gas	R452a
Maximum absorption	2,3 Kw.

## OPTIONS

Internal finishing	Stainless steel AISI 304 18/10
External finishing	In gray PET
External front finishing	Stainless steel AISI 304 18/10
Floor – Version A	Phenolic multilayer wood thickness 21mm + s/s ramps.
Floor – Version B	Insulated and reinforced floor, thickness of insulation 60mm with exposed phenolic multilayer wood + s/s ramp
Floor – Version C	Insulated and reinforced floor, thickness of insulation 60mm with anti-slip stainless steel AISI 304 18/10 finishing + s/s ramps.
Remote condensing unit	n.1 Silenced and tropicalized with Embraco compressor of 1,5Hp + accessories – Volt 1x230V+N, 50Hz – distance 10m

## CODE

AV100-1P-150x130