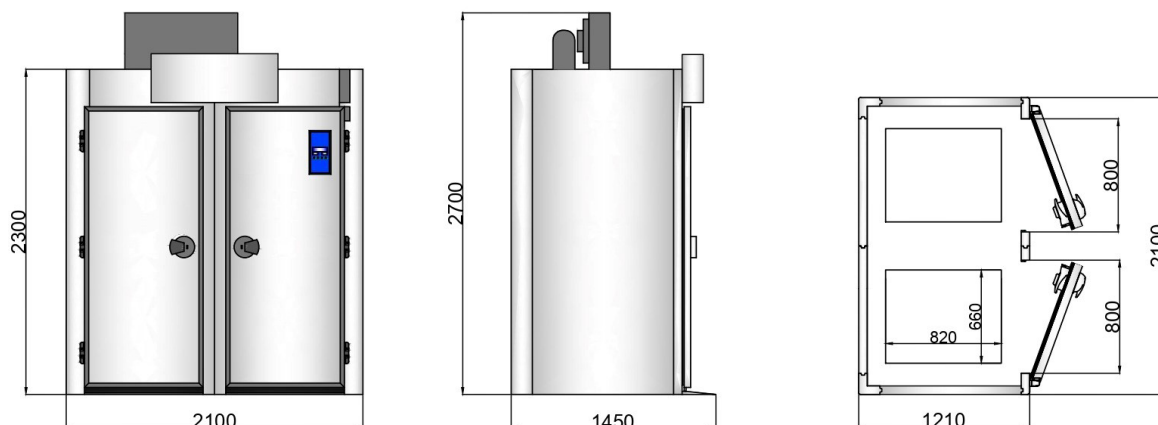


# Retarder Prover Room-AVANT



## DATA SHEET

|                              |   |
|------------------------------|---|
| External dimensions          | mm 2100x1210x2300h  |
| Internal dimensions          | mm 1880x1050x1980h  |
| Maximum external height      | mm 2750   |
| Structure                    | Prefabricated modular panels with thickness of insulation 60mm. Polyurethane rigid foam without CFC and density 38/40 Kg/mc. Sanitary profiles on the floor and ceiling |
| Floor                        | Without floor   |
| Internal finishing           | White painted galvanized sheet  |
| External finishing           | White painted galvanized sheet  |
| Doors – entry                | n.2 mm 800x2000h – industrial closing   |
| Capacity of racks - trays    | n.2 for trays mm 600x800  |
| Evaporator                   | n.1 with three fans Ø 200mm   |
| Evaporator capacity          | 1910 Watt a 2°C room / -8°C evaporation   |
| Fans absorption              | 114 Watt  |
| Tropicalized condensing unit | n.1 ermetic Embraco compressor of 1,2Hp with n.1 fan. Dimensions mm 550x410x370h. Pump Down. High and low pressure switch   |
| Condensing unit capacity     | 1266 Watt at -10°C evaporation / 38°C condensation  |
| Defrosting resistances       | n.1 of 1000 Watt  |
| Heating elements             | n.1 of 2250 Watt  |
| Steam generator              | n.1 ultrasonic  |
| Temperature range            | -5 / +40 °C   |
| Humidity range               | 50 – 100 %  |
| Temperature probe            | n.1 Ntc   |
| Humidity probe               | n.1 4-20mA  |
| Internal light               | n.1 led of mm500  |
| Avant controller             | n.1 Digital with LCD display and 4 programming keys   |
| Voltage                      | Volt 1x230+N 50Hz   |
| Gas                          | R452a   |
| Maximum absorption           | 2,8 Kw.   |

## OPTIONS

|                          |   |
|--------------------------|---|
| Internal finishing       | Stainless steel AISI 304 18/10  |
| External finishing       | In gray PET   |
| External front finishing | Stainless steel AISI 304 18/10  |
| Floor – Version A        | Phenolic multilayer wood thickness 21mm + s/s ramp  |
| Floor – Version B        | Insulated and reinforced floor, thickness of insulation 60mm with exposed phenolic multilayer wood + s/s ramp                   |
| Floor – Version C        | Insulated and reinforced floor, thickness of insulation 60mm with anti-slip stainless steel AISI 304 18/10 finishing + s/s ramp |
| Remote condensing unit   | n.1 Silenced and tropicalized with Embraco compressor of 1,5Hp + accessories – Volt 1x230V+N, 50Hz – distance 10m               |

## CODE

AV80-2P-210x121