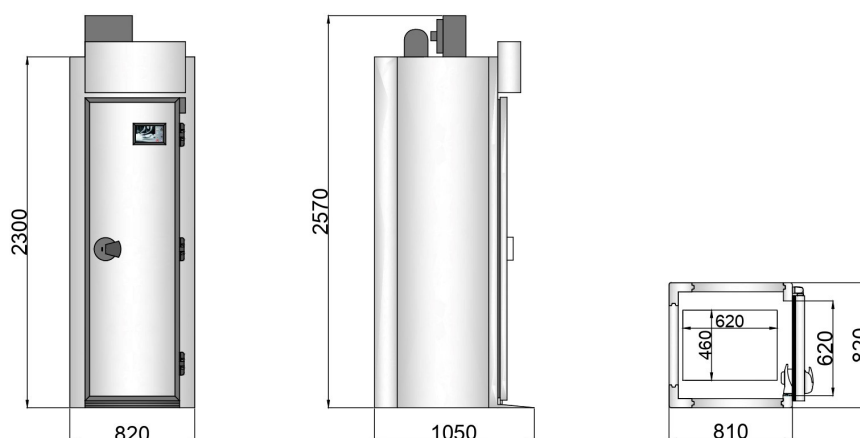


Retarder Prover Room-MASTER



DATA SHEET

| | |
|------------------------------|---|
| External dimensions | mm 820x810x2300h |
| Internal dimensions | mm 620x650x1980h |
| Maximum external height | mm 2600 |
| Structure | Prefabricated modular panels with thickness of insulation 60mm. Polyurethane rigid foam without CFC and density 38/40 Kg/mc. Sanitary profiles on the floor and ceiling |
| Floor | Without floor |
| Internal finishing | White painted galvanized sheet |
| External finishing | White painted galvanized sheet |
| Doors – entry | n.1 mm 620x2000h – industrial closing |
| Capacity of racks - trays | n.1 for trays mm 600x400 |
| Evaporator | n.1 with one fan Ø 200mm |
| Evaporator capacity | 600 Watt a 2°C room / -8°C evaporation |
| Fans absorption | 38 Watt |
| Tropicalized condensing unit | n.1 ermetic Embraco compressor of 1/3Hp with n.1 fan. Dimensions mm 310x470x270h. Pump Down. High and low pressure switch |
| Condensing unit capacity | 669 Watt at -10°C evaporation / 38°C condensation |
| Defrosting resistances | n.1 of 400 Watt |
| Heating elements | n.1 of 800 Watt |
| Steam generator | n.1 ultrasonic |
| Temperature range | -5 / +40 °C |
| Humidity range | 50 – 100 % |
| Temperature probe | n.1 0-10 Volt |
| Humidity probe | n.1 0-10 Volt |
| Internal light | without |
| Master controller | n.1 electronic with touch screen 7" |
| Voltage | Volt 1x230+N 50Hz |
| Gas | R452a |
| Maximum absorption | 1,3 Kw. |

OPTIONS

| | |
|--------------------------|---|
| Remote Access | Complete remote room management. E-mail alarms notification. |
| Internal finishing | Stainless steel AISI 304 18/10 |
| External finishing | In gray PET |
| External front finishing | Stainless steel AISI 304 18/10 |
| Floor – Version A | Phenolic multilayer wood panel thickness 21mm + s/s ramp |
| Floor – Version B | Insulated and reinforced floor, thickness of insulation 60mm with exposed phenolic multilayer wood panel + s/s ramp |
| Floor – Version C | Insulated and reinforced floor, thickness of insulation 60mm with anti-slip stainless steel AISI 304 18/10 finishing + s/s ramp |
| Remote condensing unit | n.1 Silenced and tropicalized with Embraco compressor of 1Hp + accessories – Volt 1x230V+N, 50Hz – distance 10m |
| Extra heat function | Activating the extra heat function (500W) in the Manual Proving programme |

CODE

MA62-1P-82x81