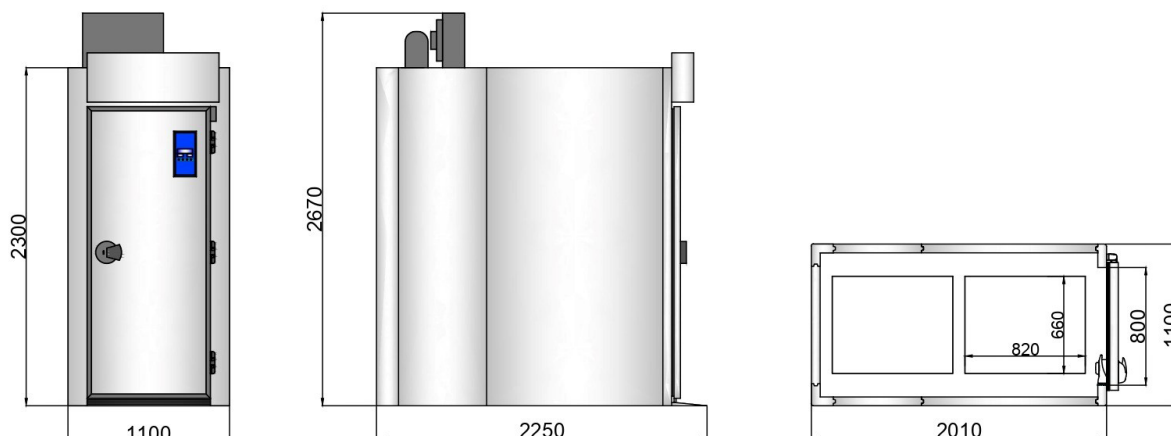


Retarder Prover Room-AVANT



DATA SHEET

External dimensions	mm 1100x2010x2300h
Internal dimensions	mm 800x1850x1980h
Maximum external height	mm 2720
Structure	Prefabricated modular panels with thickness of insulation 60mm. Polyurethane rigid foam without CFC and density 38/40 Kg/mc. Sanitary profiles on the floor and ceiling
Floor	Without floor
Internal finishing	White painted galvanized sheet
External finishing	White painted galvanized sheet
Doors – entry	n.1 mm 800x2000h – industrial closing
Capacity of racks - trays	n.2 for trays mm 600x800
Evaporator	n.1 with three fans Ø 200mm
Evaporator capacity	1910 Watt a 2°C room / -8°C evaporation
Fans absorption	114 Watt
Tropicalized condensing unit	n.1 ermetic Embraco compresor of 1,2Hp with n.1 fan. Dimensions mm 550x410x370h. Pump Down. High and low pressure switch
Condensing unit capacity	1266 Watt at -10°C evaporation / 38°C condensation
Defrosting resistances	n.1 of 1000 Watt
Heating elements	n.1 of 2250 Watt
Steam generator	n.1 ultrasonic
Temperature range	-5 / +40 °C
Humidity range	50 – 100 %
Temperature probe	n.1 Ntc
Humidity probe	n.1 4-20mA
Internal light	n.1 led of mm500
Avant controller	n.1 Digital with LCD display and 4 programming keys
Voltage	Volt 1x230+N 50Hz
Gas	R452a
Maximum absorption	2,8 Kw.

OPTIONS

Internal finishing	Stainless steel AISI 304 18/10
External finishing	In gray PET
External front finishing	Stainless steel AISI 304 18/10
Floor – Version A	Phenolic multilayer wood panel thickness 21mm + s/s ramp
Floor – Version B	Insulated and reinforced floor, thickness of insulation 60mm with exposed phenolic multilayer wood panel + s/s ramp
Floor – Version C	Insulated and reinforced floor, thickness of insulation 60mm with anti-slip stainless steel AISI 304 18/10 finishing + s/s ramp
Remote condensing unit	n.1 Silenced and tropicalized with Embraco compressor of 1,5Hp + accessories – Volt 1x230V+N, 50Hz – distance 10m

CODE

AV80-1P-110x201